



DS型带式输送机 TYPE-DS BELT CONVEYER

<http://www.jdpyhj.com>

用途 Applications

带式输送机主要用来输送颗粒或粉末状固体，用于环保上主要用于输送栅渣、脱水后的泥饼、泥沙等。

This Belt Conveyer is mainly used to convey grains or powder solid as well as slag, refuse, sand and sludge cake dewatered in environmental protection engineering.

工作原理及构造 Working Principle and Strucure

油浸滚筒（电机）带动皮带在承托辊上运动，落入带上的固体颗粒由于摩擦力的作用，随带一起运动，一直输送至带的另一端，完成输送过程。

输送机主要由油浸滚筒、机架、皮带、承托辊、调心辊、导向辊、侧挡板等组成。

技术性能参数及外形尺寸表 Technical Parameters Shape and Size

参数	带宽	500	650	800
滚筒直径 (mm)		320、400	320、400	500、630
线速 (m/s)		0.8-1.5		
功率 (kW)		根据带宽与输送长度确定		
水平输送	L	≤50m,可按用户要求制作		
	H	按用户要求或与其它设备配套		
	C	720	870	1020
	B	500	650	800
倾斜输送	L	≤20m,可按用户要求制作		
	H1	标准高度600-800,可按用户要求		
	H2	按用户要求或与其它设备配套		
	α	≤20°		



型号示例 Type and Its Indication



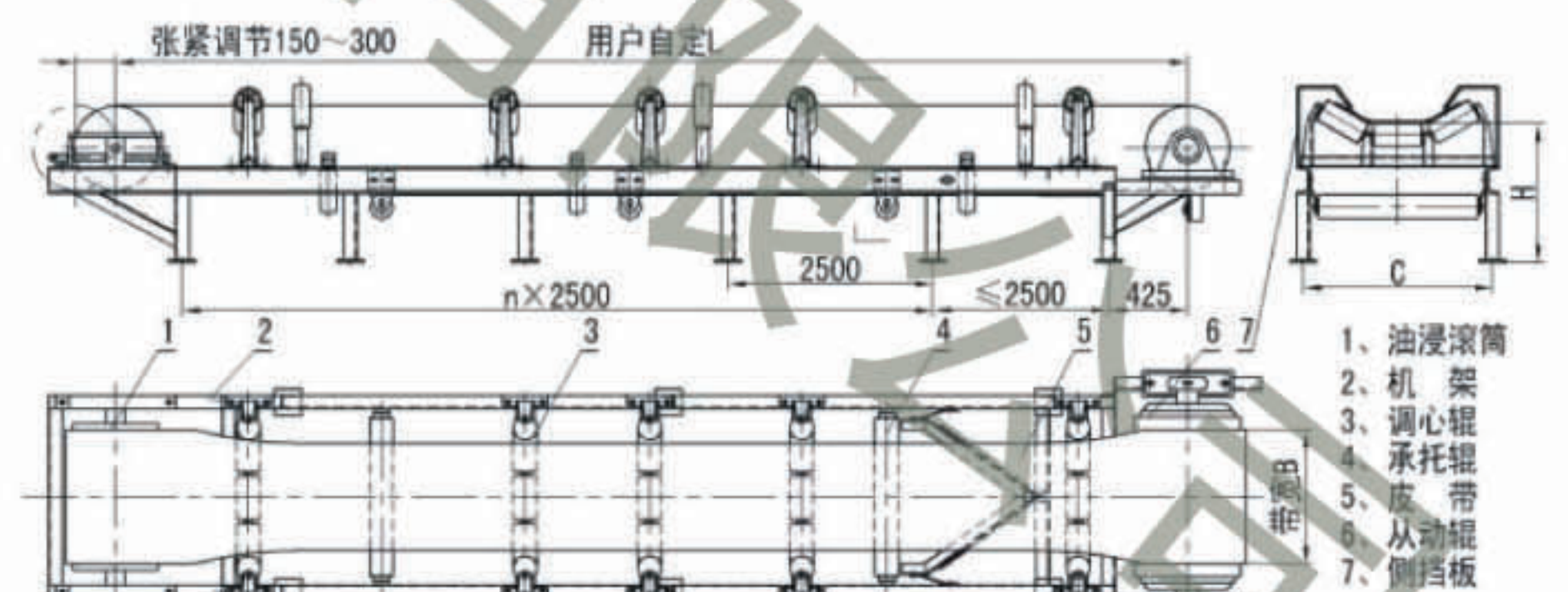
Driven by the oil-immersed cylinder (electric machine), the belt moves on the carrier rollers with the solid grains dropped on the belt from one terminal to another end to finish the whole conveying course.

The conveyer is mainly composed of oil immersed cylinder, frame, belt, carrier roller, aligning roller, guide roller, side baffle-plate and so on.

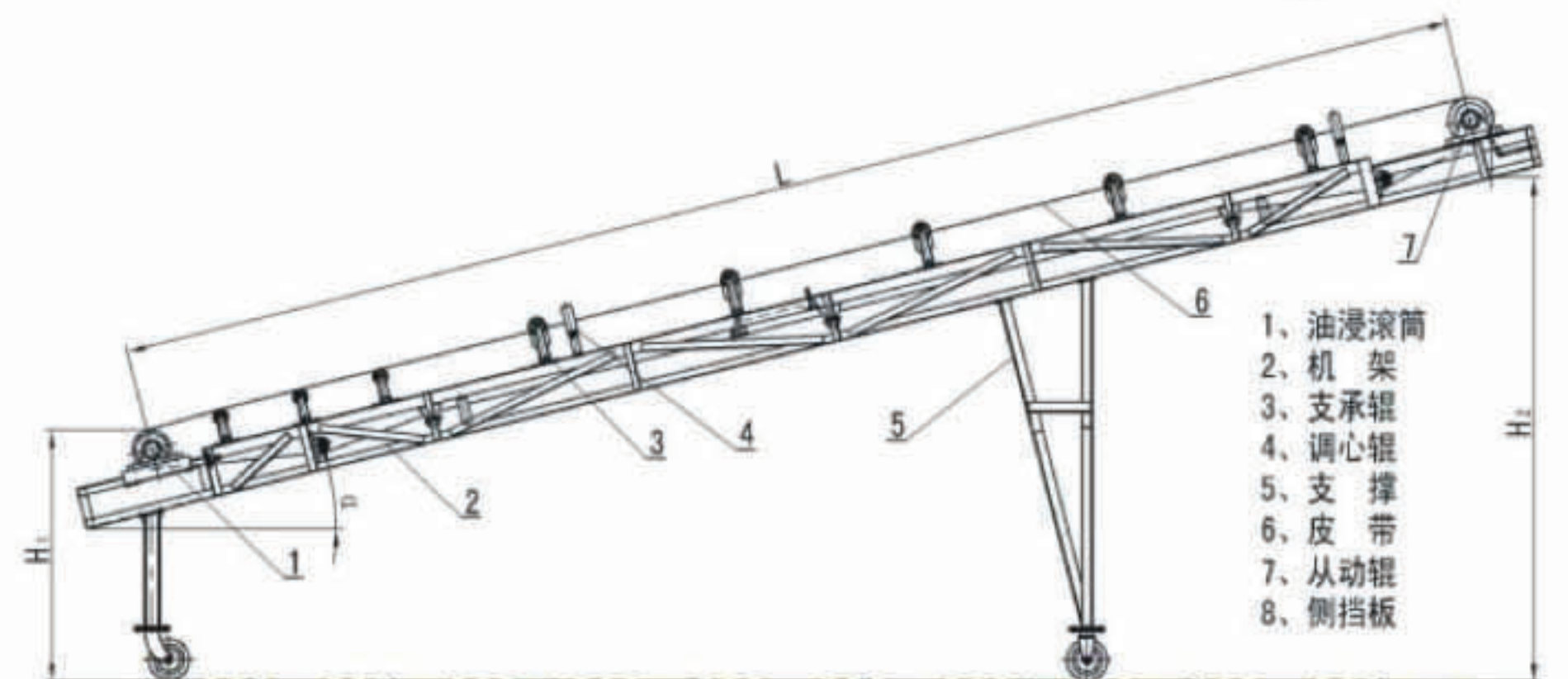
订货说明 Requirements for Order

1. 订货时请注明输送长度L和高度H，与本厂其它设备配套时除外。
2. 本设备不包括膨胀螺栓,需要时请注明。
3. 本设备若用于室外比较恶劣的环境时,请注明。
4. 用户若需要特定的输送速度时请注明。
5. 若需要其它非标宽度时,请注明宽度。

1. Please note the conveying length H and height L except those, which will match for other equipment by our factory.
2. The expensive bolts will not be included in this equipment. Please note them if necessary.
3. If it's used in bad conditions outdoor, please note.
4. Special conveying speed should be noted if necessary.
5. If other non-standard width is needed, please note it.



水平带式输送机



倾斜带式输送机