



SF型砂水分离器 TYPE-SF SAND SEPARATOR

<http://www.jdpyhj.com>

用途 Applications

主要用于对沉砂池除砂设备排出的砂水混合物进行砂水分离，以利于运输。

The Separator is mainly used to separate sand from the water, which is discharged from the grit chamber by sand remover. After being separated, the sand is easy to ship away.

特点 Features

1. 分离效率高达96~98%，可分离出粒径大于0.2mm的砂粒。
 2. 采用无轴螺旋输送，无水中轴承，重量轻，维护方便。
 3. 采用最新减速机，结构紧凑，运行平稳，安装方便。
 4. U型槽内衬柔性耐磨衬条，噪声低，更换方便。
 5. 整机安装简单，操作方便。
1. The separation efficiency is as high as 96~98%, the sand particles with the size over 0.2mm can be separated.
 2. In the course of separation the sand is spirally carried with no bearing used, the separator weighs little because of no using underwater bearings, and this makes its maintenance more convenient.
 3. The adoption of new decelerator makes the structure very compact, the operation smooth, and the installation convenient.
 4. The use of the lined bars in U trough, which are pliable, tough and wear resisting, leaves the Separator working with lower noise, and replacing of these bars easy.
 5. The whole set enjoy simple installation and easy operation.

技术性能参数及外形尺寸表 Technical Parameters Shape and Size

参数	型号	SF-260	SF-320	SF-360	SF-420
螺旋直径 (mm)		220	280	320	380
处理量 (L/s)		5-12	12-20	20-27	27-35
电机功率 (kW)		0.37		0.75	
转速 (r/min)		5		4.8	



型号示例 Type and Its Indication



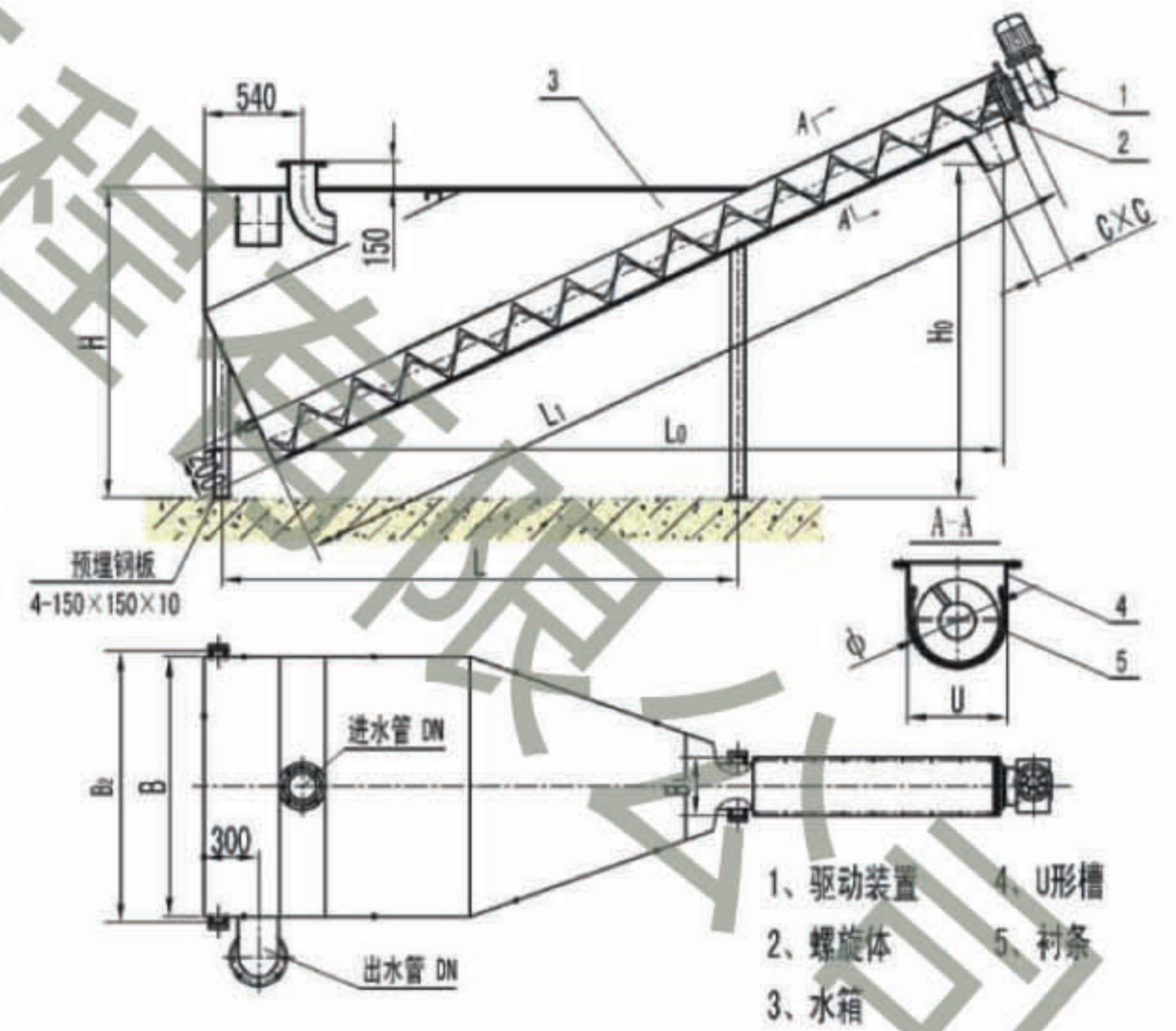
工作原理及构造 Working Principle and Structure

利用螺旋旋转的轴向推移，将砂逐渐推至出口处，掉入车中，完成砂水分离过程。

螺旋砂水分离器主要由驱动装置、U形槽、螺旋体、水箱、衬条等组成。

After being separated from wastewater, the sand is spirally squeezed to the outlet of the tank by the axial passage of the axial rotation and then falls into trucks, which means the end of the operation of separation.

The separator is mainly composed of driving device, U trough, spiral device water tank, lined bars and etc.



- 1、驱动装置
- 2、螺旋体
- 3、水箱
- 4、U形槽
- 5、衬条

尺寸	型号	SF260	SF320	SF360	SF420
L		2800	2800	3800	3800
L0		3840	4380	5760	6150
L1		4000	4500	6000	6500
H		1600	1700	2150	2150
H0		1550	1750	2400	2550
B		1200	1260	1420	1720

尺寸	型号	SF260	SF320	SF360	SF420
B1		310	370	410	470
B2		1250	1310	1470	1770
C		220	270	320	390
U		260	320	360	420
Φ		220	280	320	380
DN		100	150	400	250