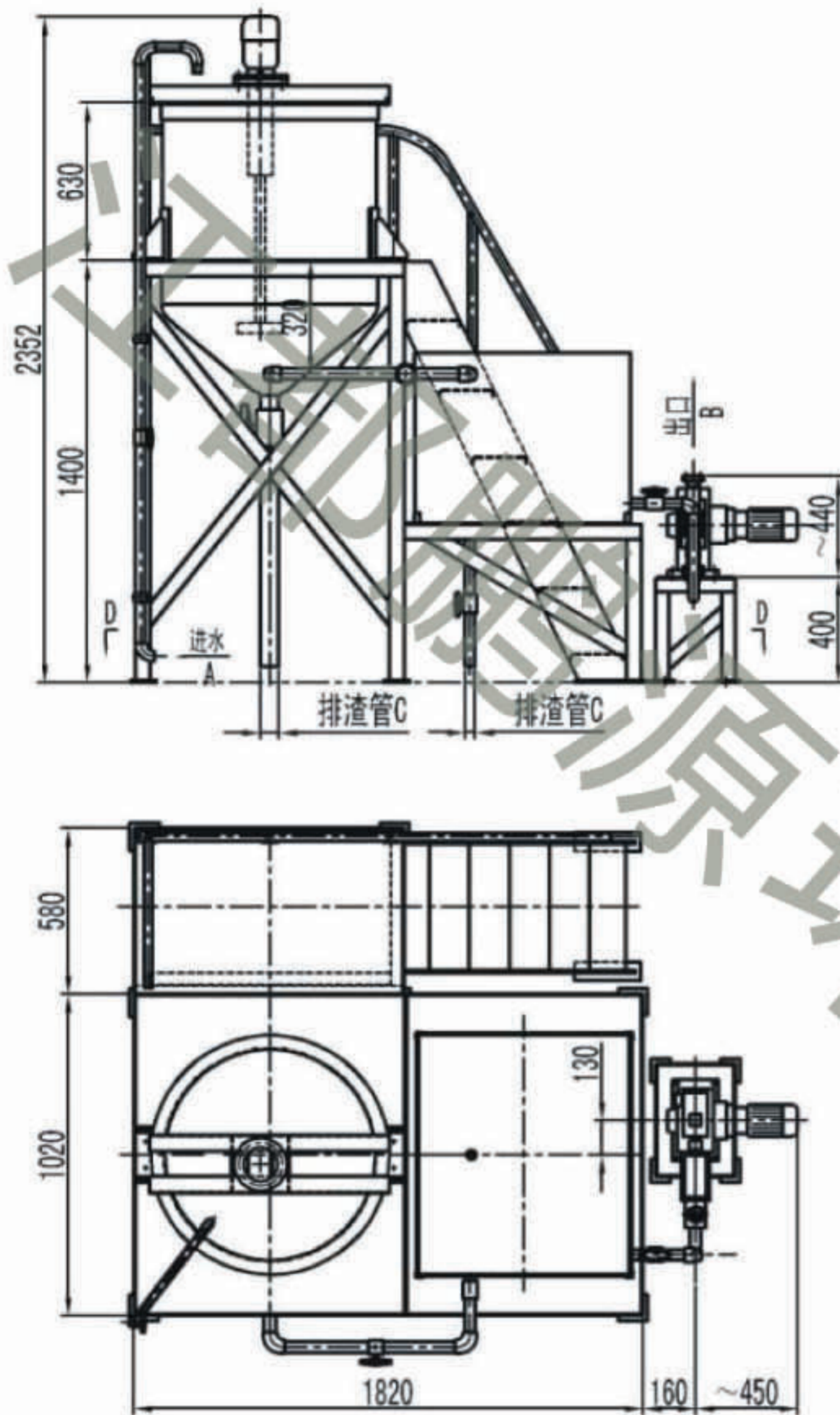




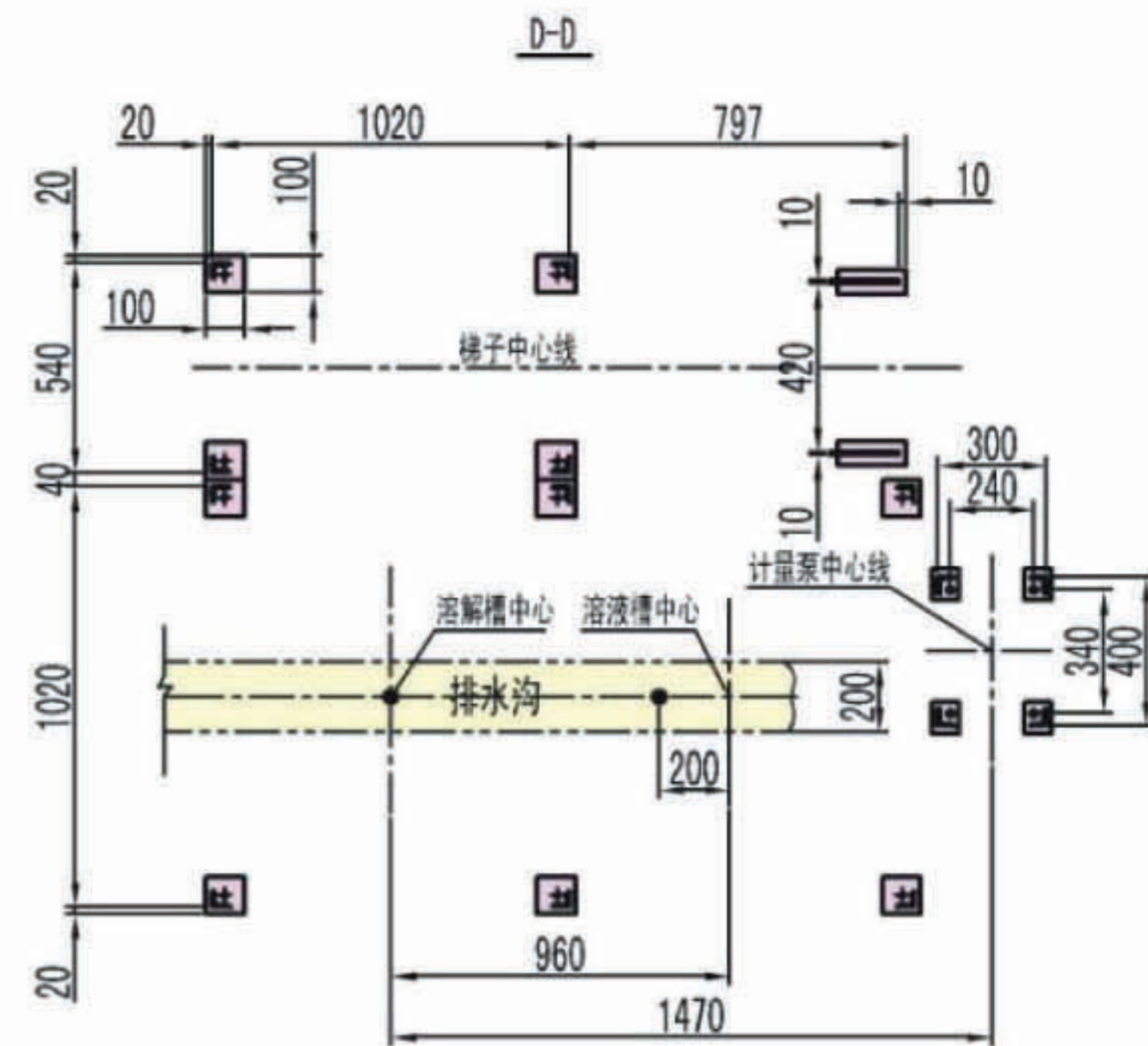
WA、JY 型加药设备 TYPE-WA JY CHEMICAL FEEDER

<http://www.jdpyhj.com>

WA0.5 结构及外形 Outlines



WA 型基础 Base



订货说明 Requirements for Order

1. 注明主体设备材质，未注明时，按罐体玻璃钢，机架碳钢制作。
 2. 注明计量泵的流量、压力等参数，并注明数量。
 3. 若需配套安装用膨胀螺栓，请注明。
1. Please note the material of the main equipment. The tank is considered as glass steel and the rack as carbon steel when there is no notice.
 2. Please note the metering pump flow, pressure and other parameters, and specify the number.
 3. For installation needs supporting expansion bolts, please specify.

JY0.3/0.72 型结构及外形 Outlines

